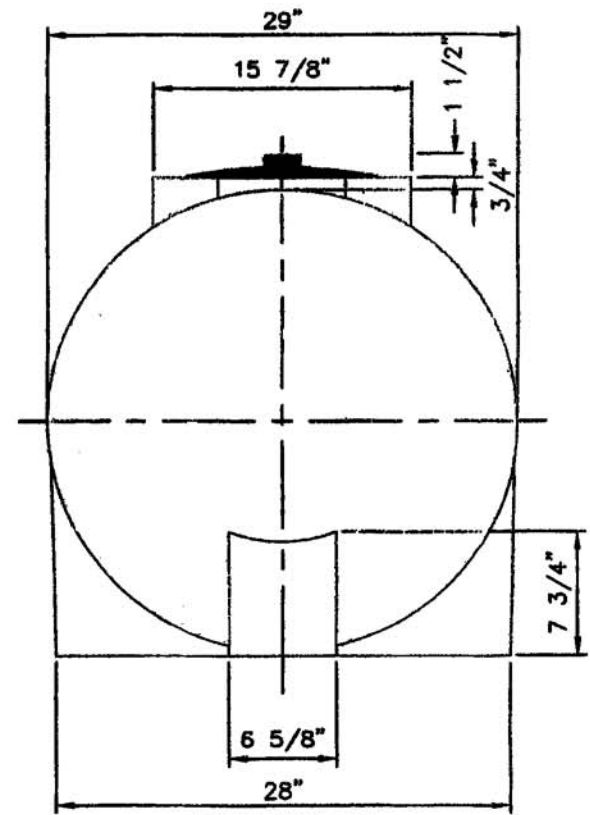
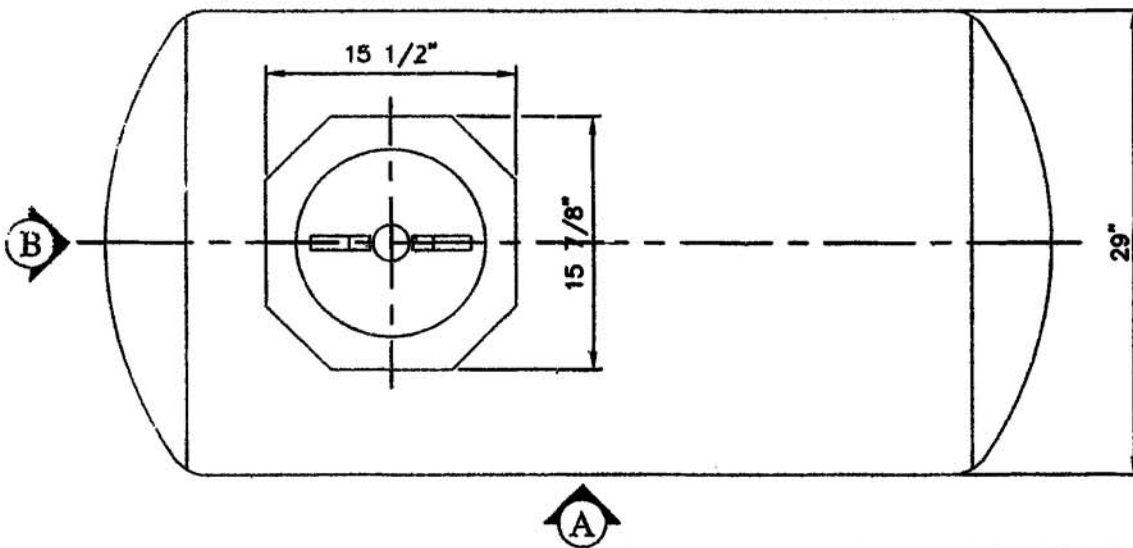


**VIEW A**



**VIEW B**



**NOTE:**  
ALL DIMENSIONS ARE IN INCHES UNLESS OTHERWISE SPECIFIED

<b>NORWESCO</b> CANADA		
150 USG / 125 Imp. / 560L Capacity WATER LEG TANK		
DWG NO:		REV
SCALE: 1:12		